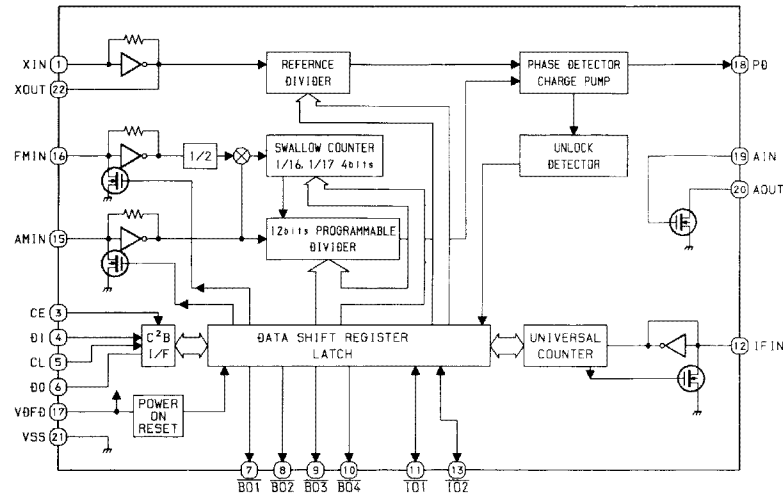
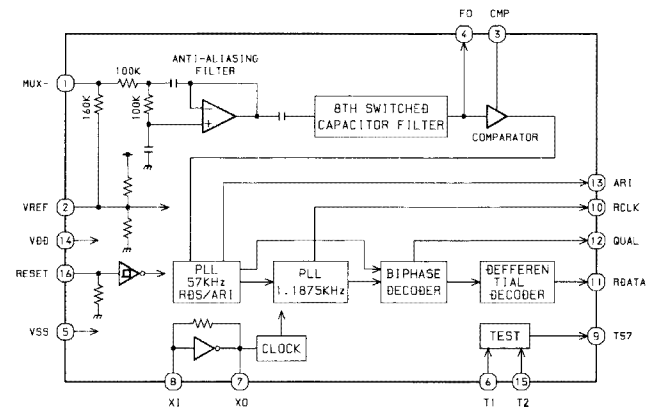


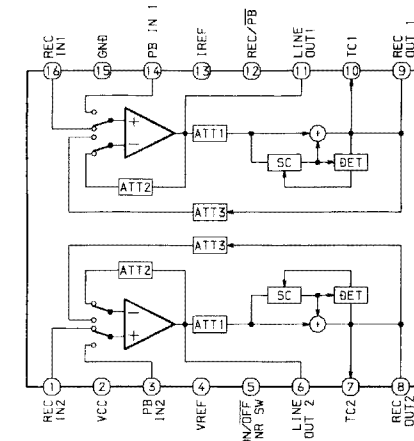
IC BLOCK DIAGRAM - 1
IC, LC72131D(Z)



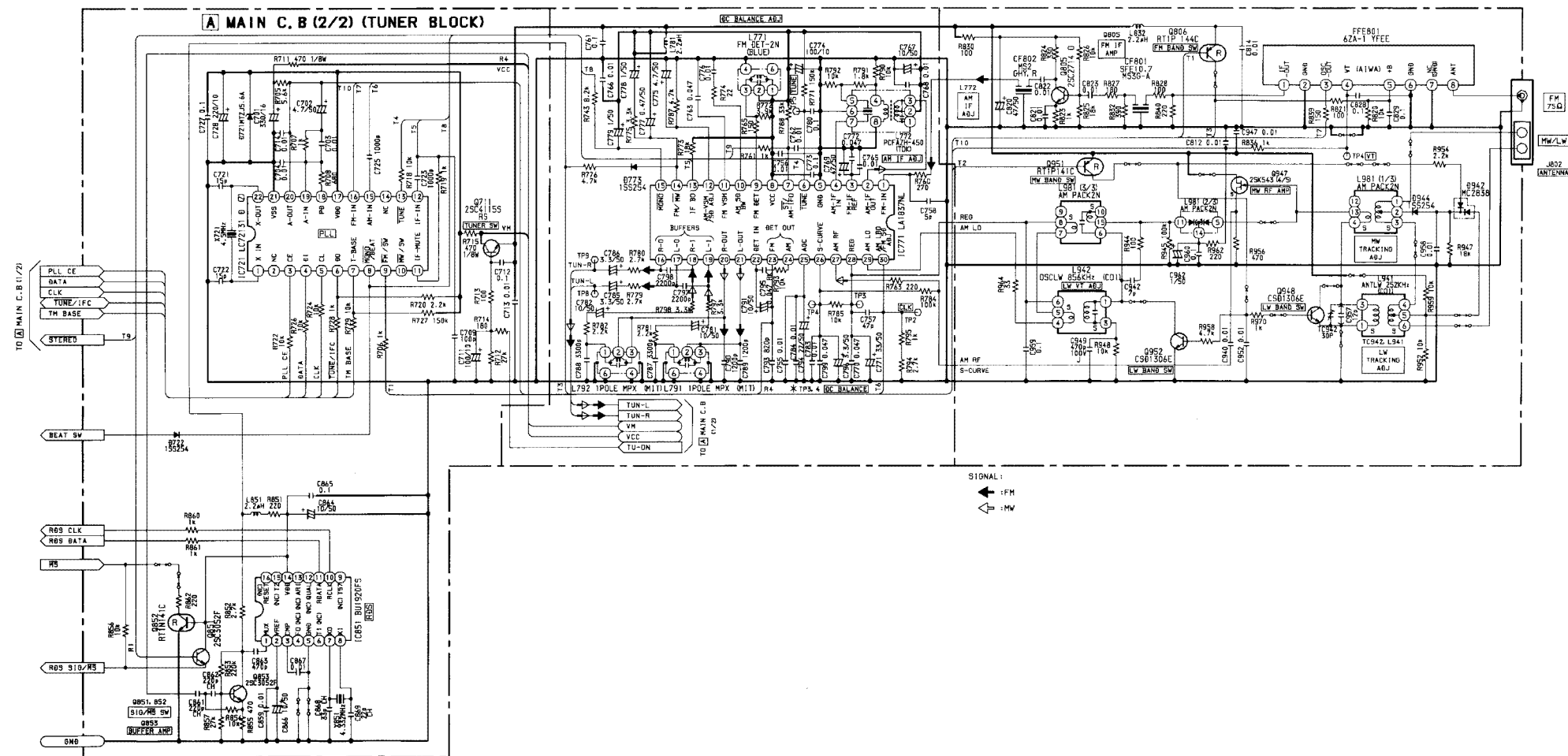
C-IC, BU1920FS



IC, CXA1553P



SCHEMATIC DIAGRAM - 4 (EZ, K: TUNER)



SCHEMATIC DIAGRAM - 6 (HIFI - AMP)

